

MIL-STD-1553 Transceiver



BRD1553XVR

For 1553 Bus Connection

Compact, Robust, Reliable
MIL-STD-Products

Specifications

Compatibility

- MIL-STD-1553B Notice 2
- 2 x 1553 channels of 1Mbps Data Rate

Host Requirements

- Any Sital Technology IP Core
- Any 3.3Vdc FPGA

Power

- Single 3.3Vdc
- 0.7W maximum at transmission

Connection

- 20 pins Header connector to FPGA
- 2 pins (TX and -TX) per channel

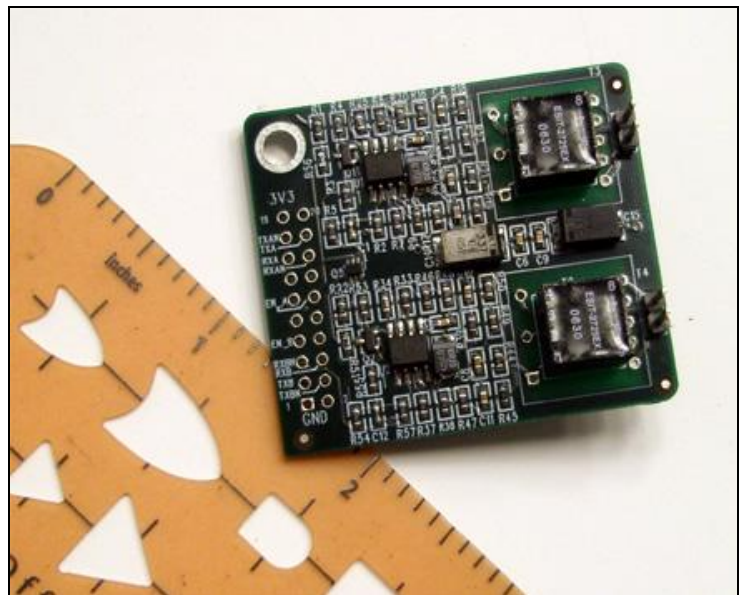
More 1553 products from Sital:

- MIL-STD-1553 IP Cores for FPGAs.
- MIL-STD-1553 Discrete Components Transceiver for IP Core
- USB/1553 Tester
- MIL-STD-1553 Obsolete Replacement Services

Sital Technology Ltd.
17 Atir Yeda St, Kfar-Saba, Israel
Tel.: +972-9-7633300

Key Features and Benefits

- Dual-Redundant Mil-Std-1553B Bus transceiver and transformer
- Suitable for any MIL-STD-1553 BC, RT, MT application
- Works in conjunction with Sital's Mil-Std-1553 IP cores
- Easily connects to most FPGA evaluation boards
- Single 3.3Vdc supply operation
- Less than 0.7W maximum power dissipation
- 2.0 x 1.6 inches (5 x 4 cm)
- Simple 2 pins connection directly to 1553 bus
- Simple Header connector to FPGA board



The BRD1553XVR unit is intended for Mil-Std-1553 IP cores evaluation and development of 1553 applications. The BRD1553XVR unit can be used for PCB applications containing FPGAs that need the MIL-STD-1553B but do not have a transceiver on board. The unit also includes 2 transformers, eliminating any need for any additional 1553 components. Using BRD1553XVR makes the IP Core evaluation and 1553 applications simple and easy.

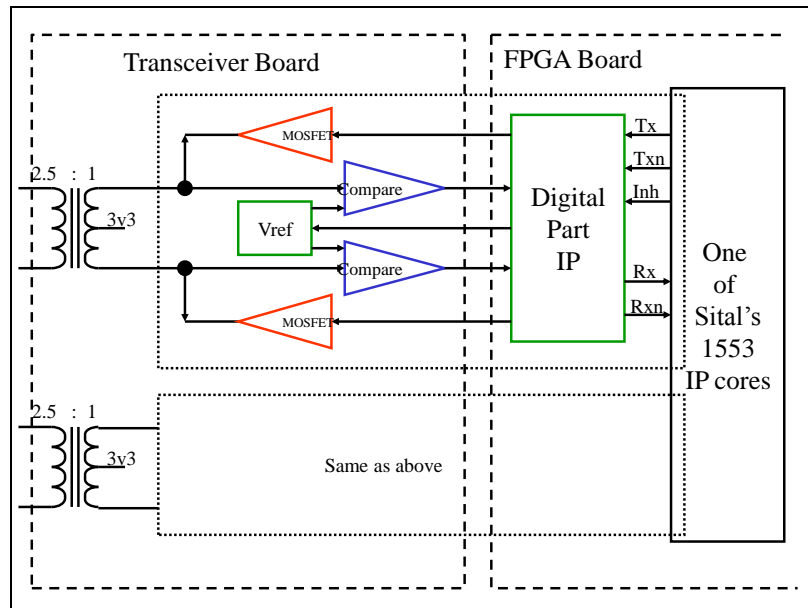
More information available at www.sitaltech.com
Email: info@sitaltech.com



BRD1553BVR

Mil-Std-1553 Transceiver board

Sital's 1553 Transceiver / Transformer board from discrete components and 2 Transformers. The block diagram of the card is:

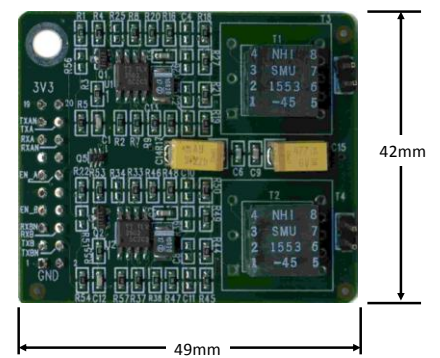


The board connects to user's board via a single 20 pin female header connector. The pin names correspond with the FPGA pin names of the core.

Transceiver Pinout:

| Pin | Pin name | Pin | Pin name |
|-----|------------------|-----|------------------|
| 19 | 3.3V | 20 | 3.3V |
| 17 | TxA _n | 18 | TxA |
| 15 | RxA | 16 | RxA _n |
| 13 | | 14 | |
| 11 | | 12 | TxInh_A |
| 9 | | 10 | |
| 7 | TxInh_B | 8 | |
| 5 | RxB _n | 6 | RxB |
| 3 | TxB | 4 | TxB _n |
| 1 | GND | 2 | GND |

Physical Dimensions:



Sital Technology Ltd.

Tel: +972-9-7633300
Fax: +972-9-7663394

Email: info@sitaltech.com
Web: www.sitaltech.com



About Sital Technology

Founded in 1993, Sital Technology is a leading provider of IP cores, test units and products for Mil-Std-1553.

SITAL Technology's key quality resource is its creative, talented and professional staff. Our engineers are veterans of the Israeli Air Force, who served in the technical units of the F-16 avionics systems. They gained knowledge and experience with the MIL-STD-1553 standard from the bottom up, both as design engineers for MIL-STD-1553 components and as technicians working on the aircrafts.

Among our many customers you can find NASA, Honeywell, Israeli Aircraft Industries (IAI), Rafael, Elbit, Astronautics, Tadiran, the Israeli Ministry of Defense, Elta, ITL Optronics, BAE Systems, RADA and many others.